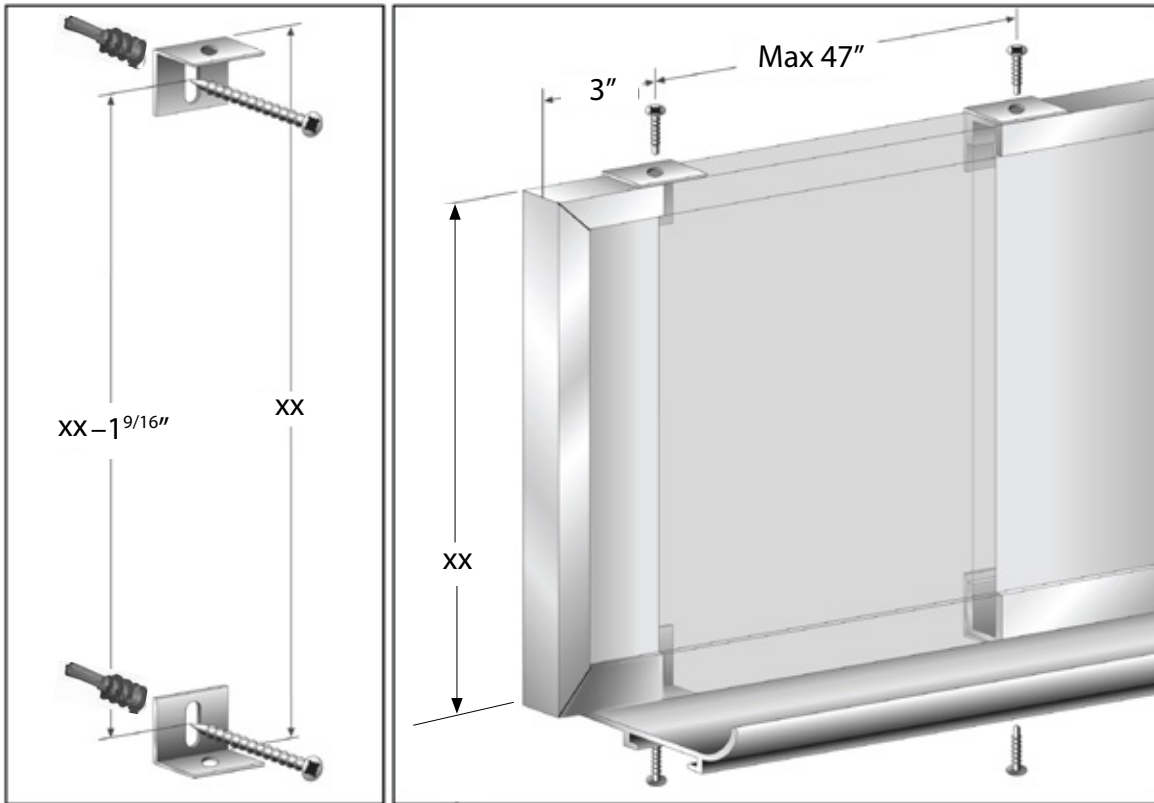




# Mitered Boards Mounting Instructions- Whiteboards • Noticeboards • Chalkboards (with optional penshelf)



length in cm(inches)	sets of angle brackets
up to 120 (47.5")	2
121 (47.75") to 200 (79")	3
201 (79.1") to 350 (138")	4
351 (138.2") to 475 (187")	5
500 (197")+	6



Items included (with each angle bracket)	
1	2" #8 self tapping screw
1	1" #8 pan head screw
1	75lb screw-type hollow wall anchor
Shims may be needed if the wall is not plumb and straight.	
<b>IMPORTANT!</b> To be properly secured, the board must be secured in all brackets at both top and bottom. Always screw into the studs whenever possible.	

**WARNING: Danger if improperly installed.** Installation must be done by a qualified professional. Check the suitability of the wall and ceiling, and make sure that the fastening devices will withstand the loads.

For disposal, the components should be divided by type of material if possible. In any case, this product can be recycled at a community recycling center.